

GNSS Splitters 2-way GNSS Splitters



Our StarLink™ GNSS Signal Splitter allows you to get more use out of a single antenna by dividing the outgoing signal into two separate GPS receivers with minimal signal loss (<4dB). The signal splitters operate over a frequency that allow the GNSS, Inmarsat, Omnistar and DGPS radio Beacon signals to be passed through with efficiency and ease.

There are two choices, the Type N and Type TNC connectors, both built with rugged components that will perform no matter the operating environment: land, marine or aviation.

The Bias Tee **BT-2DGPS-2DC** is designed to provide two DGPS receivers with a signal from a single GPS antenna. The DGPS signal splitter can expand the use of a single antenna. The signal splitters operate over a frequency range that allow the GNSS, Inmarsat and L-Band correction signals to be passed to two DGPS receivers. The antenna is powered by the receiver through either the primary or secondary port. Which means the antenna will continue to receive power even if one of the receivers is not functional. This is the great advantage of this type of splitter. This model comes with either a TNC or N type connectors.

The Bias Tee **BT-2DGPS** is designed to provide two DGPS receivers with a signal from a single antenna. The signal splitters operate over a frequency range that allow the GNSS, Inmarsat and L-Band correction signals to be passed to two DGPS receivers. The antenna is powered by the receiver through the primary port. The secondary port provides a signal to the second GPS receiver.



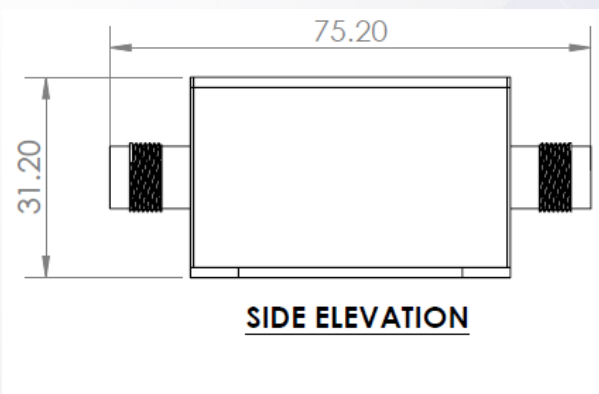
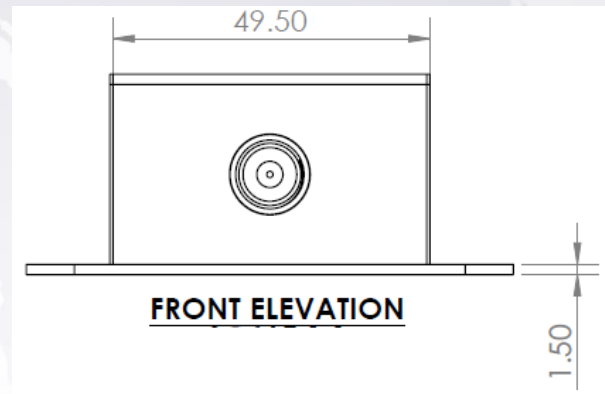
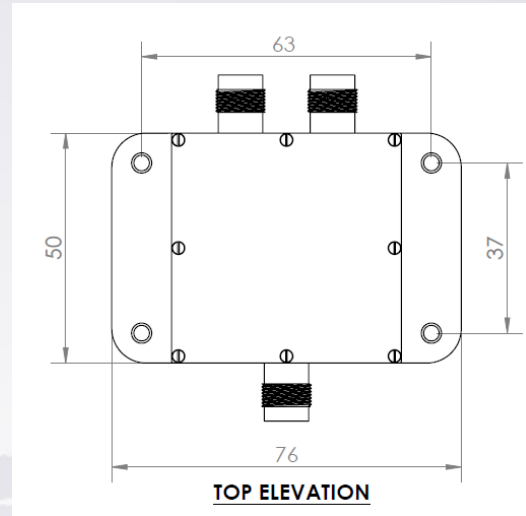
SPLITTER SPECIFICATIONS

BT-2DGPS GPS SPLITTER SPECIFICATIONS

- Weight: 116 g (4.1 oz)
- Dimensions:
 - TNC 76 mm W x 84 mm H
(3.00" W x 3.30" H)
 - TYPE N 76 mm W x 92 mm H
(3.00" W x 3.63" H)
- Connection: TNC
- Relative Humidity: 0-95% non-condensing
- Operating Temperature: 0° to +50° C
- GPS Signal Loss: 4 dB
- Isolation: >18 dB
- Power:

Receiver powers antenna though primary port (BT-2DGPS)

Receiver powers antenna though either primary or secondary port (BT- 2DGPS-2DC)



FORSBERG

Forsberg Services Ltd

Richmond House | White Cross | Lancaster | LA14XF | UK

Phone: +44 (0) 1524 383320 | Fax: +44 (0) 1524 382939

WWW.FORSBERGSERVICES.CO.UK

INFO@FORSBERGSERVICES.CO.UK