

## SPECIFICATIONS:

ENCLOSURE: DIECAST ALUMINUM  
 COLOR: BEIGE (POWDER COATED)  
 WEIGHT: <1.36kg (3.0 lbs)  
 TEMPERATURE STORAGE: -55° C TO +85° C  
 TEMPERATURE OPERATING: -40° C TO +70° C  
 RELATIVE HUMIDITY: 0-100% CONDENSING  
 ALTITUDE: 6,096m (20,000 ft)  
 FREQUENCY: 800MHz TO 1800MHz  
 TERMINATION: 50Ω

INPUTS:  
 TNC GPS FROM ANTENNA – DESIGNED FOR ANTENNA GAIN OF 34dB ±3dB.  
 2 PIN 12-24V AC OR DC

OUTPUTS:  
 ST TYPE FIBER OPTIC CONNECTOR FOR SIMPLEX MULTIMODE 50/125 MICRON CABLE

TO BE USED IN RVL KIT 516061 (INCLUDES POWER CABLE).

NOTES: SYSTEM ALLOWS FIBER RUNS OF UP TO 1524 METERS (5000 FEET) OF 50/125 FIBER OPTIC CABLE.

### ACCESSORIES

P/N	DESCRIPTION
516816	POWER SUPPLY
516818	POWER CABLE

**ROHS**

### PROPRIETARY INFORMATION

NOTICE: THIS DOCUMENT AND ANY INFORMATION DISCLOSED HEREIN WAS ORIGINATED BY AND IS THE PROPERTY OF RAVEN INDUSTRIES, INC., ELECTRONIC SYSTEMS DIVISION. THIS INFORMATION, IN WHOLE OR EXTRACTS, MAY NOT BE PUBLISHED, REPRODUCED, DISCLOSED OR OTHERWISE DISSEMINATED WITHOUT THE EXPRESS AUTHORIZATION OF RAVEN INDUSTRIES, INC.



ELECTRONIC  
 SYSTEMS  
 DIVISION

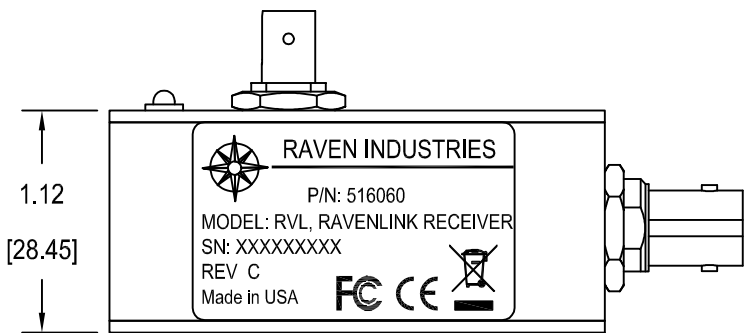
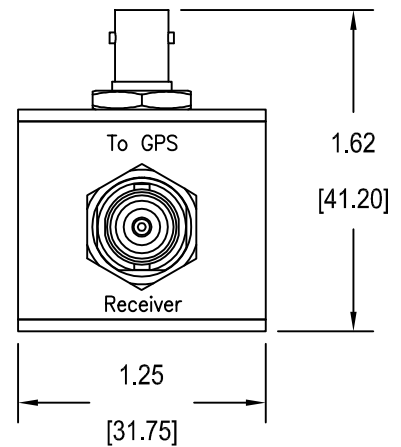
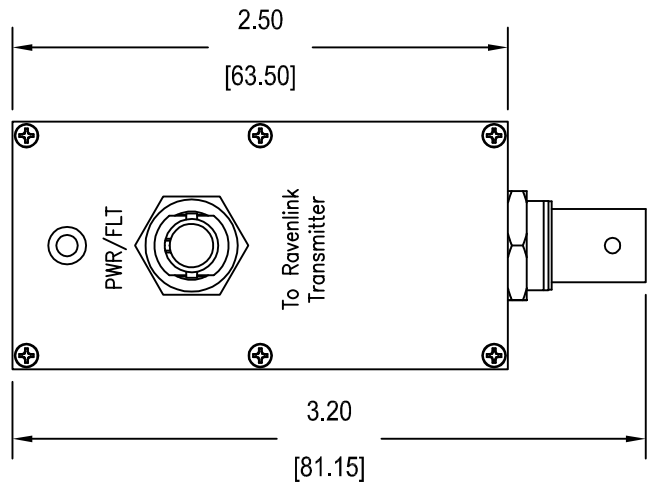
RVL, RAVENLINK  
 TRANSMITTER

DWG NO.  
 516059

RELEASED  
 1/12/11

DRAWN BY  
 JJG

1 OF 1



## SPECIFICATIONS:

ENCLOSURE: EXTRUDED ALUMINUM  
 COLOR: NATURAL  
 WEIGHT: <0.92kg (0.21 lbs)  
 TEMPERATURE STORAGE: -40° C TO +85° C  
 TEMPERATURE OPERATING: 0° C TO +50° C  
 RELATIVE HUMIDITY: 0-95% NON-CONDENSING  
 ALTITUDE: 6,096m (20,000 ft)  
 FREQUENCY: 800MHz TO 1800MHz

INPUTS:  
 ST TYPE FIBER OPTIC CONNECTOR FOR SIMPLEX MULTIMODE  
 50/125 MICRON CABLE

OUTPUTS:  
 BNC 50 OHM FEMALE

ANTENNA FAULT REPORTING LED:  
 GREEN - GOOD  
 RED - FAULT

TO BE USED IN RVL KIT 516061

**ROHS**

### PROPRIETARY INFORMATION

NOTICE: THIS DOCUMENT AND ANY INFORMATION DISCLOSED HEREIN WAS ORIGINATED BY AND IS THE PROPERTY OF RAVEN INDUSTRIES, INC., ELECTRONIC SYSTEMS DIVISION. THIS INFORMATION, IN WHOLE OR EXTRACTS, MAY NOT BE PUBLISHED, REPRODUCED, DISCLOSED OR OTHERWISE DISSEMINATED WITHOUT THE EXPRESS AUTHORIZATION OF RAVEN INDUSTRIES, INC.



ELECTRONIC  
 SYSTEMS  
 DIVISION

RVL, RAVENLINK  
 RECEIVER

RELEASED  
 1/12/11

DRAWN BY  
 JJG

DWG NO.  
 516060

1 OF 1