



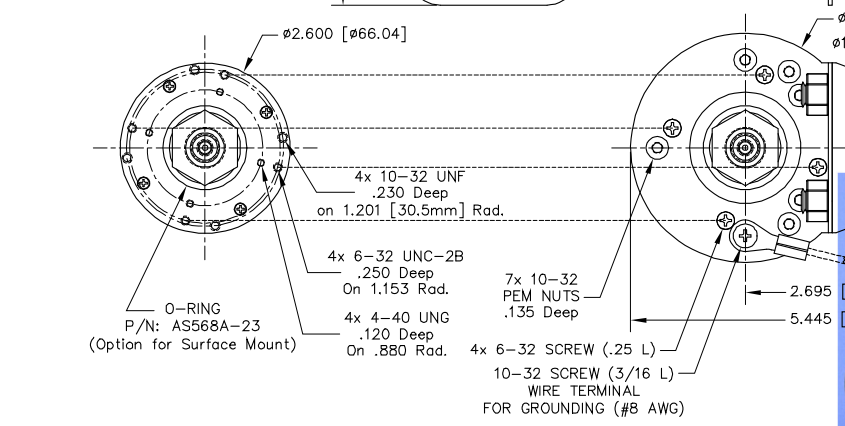
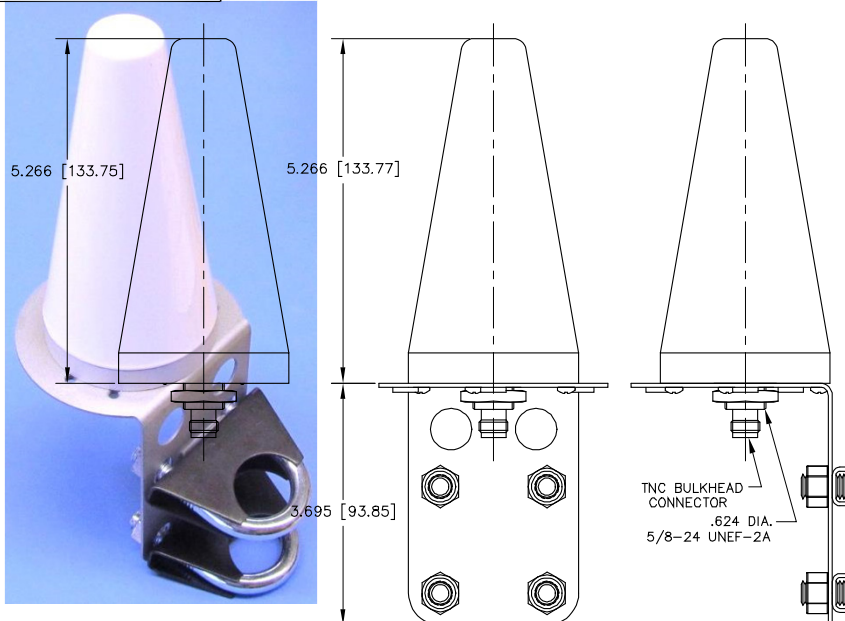
New Infinite Balance 1/2 Wave Length Quadrifilar Helix L1 GPS Timing Antenna, P/N: BL1R-A-XTB-1-FKM-LP
 for More Gain, High Multipath Rejection & Broader 194deg Beamwidth for Timing, Buoy, Marines, Ground and Weather Station App
 with High Iridium/Inmarsat/Thuraya-Rejection Front Filters (36dB@1616MHz, 44dB@1625MHz, 55dB@1640MHz, 67db@1660MHz)
 with High Power Front End Limiter Suitable for High Interference Environment
 with Lightning Protection Compliance Per EN61000-4-5 Level 4

Available in L1GPS/Glonass, L1GPS/Glonass/Omnistar, L1/L2GPS, L1/L2GPS/Glonass, L1/L2GPS/Glonass/Omnistar and Other GNSS Bands



ANTCOM CORPORATION . 367 Van Ness Way, Suite 602 . Torrance, CA 90501 . Tel: (310) 782-1076 . Fax: (310) 782-1086 . E-mail: antennas@antcom.com . http://www.antcom.com

NOTICE OF PROPRIETARY RIGHTS
 THIS DOCUMENT CONTAINS CONFIDENTIAL, TECHNICAL DATA INCLUDING TRADE SECRETS PROPRIETARY TO ANTCOM CORP. REPRODUCTION OF THIS DATA TO ANY OTHER PARTY WITHOUT THE WRITTEN CONSENT OF ANTCOM CORP. IS STRICTLY PROHIBITED WITHOUT PRIOR WRITTEN CONSENT OF ANTCOM CORP.



P/N: BL1R-A-XTB-1-FKM-LP

SPECIFICATIONS

ELECTRICAL:	
FREQUENCY:	L1: (1575.42 ± 12.0) MHz
RADIATION PATTERN:	HEMISPHERICAL
POLARIZATION:	RHCP
VSWR:	< 2.0:1
IMPEDANCE:	50 ohms
ANTENNA GAIN (dBic):	
@ 90 ° Above Horizon (Top):	+ 1.2
@ 15 ° Above Horizon:	- 0.2
@ 20 ° Above Horizon:	+ 0.2
@ 25 ° Above Horizon:	+ 0.5
@ 30 ° Above Horizon:	+ 0.6
@ 70 ° Above Horizon:	+ 0.0
BEAM WIDTH (3dB):	192 Deg.
AXIAL RATIO:	1 dB
MULTIPATH REJECTION (RHCP/LHCP):	
@ 90 ° Above Horizon (Top):	20 dB
@ 15° Above Horizon:	16 dB
@ 25° Above Horizon:	18 dB
DC GROUNDING:	YES
LIGHTNING PROTECTION COMPLIANCE:	PER EN61000-4-5 LEVEL 4
LNA GAIN (OPTION):	33 dB
LNA NOISE FIGURE:	2.7 dB
LNA P1dB Out:	+13dBm
LNA DC POWER:	(+2.4 TO +5) Volts DC / (15 TO 30) mA
FRONT FILTER REJECTION @ (-50/+50) MHz:	-41 dB / -59 dB
@ (-100/+100) MHz:	< -65 dB
FRONT END HIGH POWER LIMITER:	BUILT-IN
ANTENNA PROPAGATION DELAY:	34 ns

MECHANICAL:

SIZE:	DIAMETER: 2.60in. [66 mm] HEIGHT: 5.266 in. [133 mm]
WEIGHT:	< 8oz. (226g)
FINISH:	HERMETICALLY SEAL & TEFLON COATED
MATERIAL:	6061-T6 ALUMINUM ALLOY BASE & RUGGEDIZED RADOME IMPACT, ABRASION, UV, SOLVENT, SKYDROL, CORROSION RESISTANCE, AND FIRE RETARDANT
CONNECTOR:	TNC FEMALE BULKHEAD (OPTION: TNC-BK, F, SMA, BNC, N, MCX, MMCX)
ENVIRONMENTAL:	TEMPERATURE: -95 °F TO +194 °F [-70 °C TO +90 °C] -700ft to + 70,000 ft. (for -U-FKM/U-TPM from Mounting Surface) 30 G's HERMETICALLY SEAL
VIBRATION:	

FEDERAL & MILITARY SPECIFICATIONS:

FAA TSO-C144, DO-160D, DO-228, MIL-C-5541, MIL-E-5400, MIL-I-45208A, MIL-STD-810, MIL-STD-461E/F, AND SAE J1455

ACCEPTANCE TEST PROCEDURE:

ATP-GPS-L1L2-100

QTY	DESCRIPTION	PART NO	ITEM NO
1	WIRE TERMINAL, #8 AWG	McMASTER P/N: 7113K241, Item 521-LP	5
4	PAN HEAD SCREW, 6-32, .25" L	McMASTER P/N 91400A144, Item 566-IN	4
1	PAN HEAD SCREW, 10-32, 3/16" L	McMASTER P/N: 91772A824, Item 587p2	3
1	MTR Mount, VERTICAL/ HORIZONTAL	MTR-LP REV E, Item 482-316LP	2
1	O-RING (For Surface Mount)	McMASTER P/N: AS568A-23, Item 553-23	1

FREQUENCY (GHz):		POLARIZATION:	LNA:	FEMALE CONNECTOR:	COLOR:
IN: Inmarsat/Iridium/L1GPS/Glonass (RHCP); IR4/Iridium/L1GPS/Glonass (RHCP)	R: RHCP	P: WITHOUT LNA	T: TNC; TB: TNC-Bulkhead; B: BNC	-1: GLOSS WHITE #17925 PER FED-STD-595B PAINT	
T: Thuraya/Tx Globalstar (LHCP); G: Tx only Globalstar (LHCP)	L: LHCP	A: WITH LNA (33dB)	S: SMA; SMB; SMBRM; MCX	-2: LUSTERLESS GRAY #36320 PER FED-STD-595B PAINT	
L1: L1 GPS Only; G3: L1 GPS/GLONASS/L-Band/B1; L1L2: L1/L2 GPS only	V: Vertical	A2: WITH LNA (20dB)	M/MCMCX; N/N-Bulkhead; Q: QMA	-3: OLIVE DRAB GREEN #34094 PER FED-STD-595B PAINT	
G5: L1/L2 GPS/GLONASS/L-Band/B1/B3/B2/L5	H: Horizontal	A4: WITH LNA (40 dB)	S/MC, SSMC, SSM, SSMA	-4: LUSTERLESS BLACK #37038 PER FED-STD-595B PAINT	
L01: QUAD-BAND (GSM/PCS/L-Band/Locata/Wi-Fi/S/C-Band)			T/B: TNC-Bulkhead with Microstrip, Threaded, or 2.4mm Rad	-5: TAN #; FS 23446 or 33446; FED-STD-595 PAINT	

ANTCOM CORP. TORRANCE, CALIFORNIA

Active L1 GPS Timing Antenna

REV: 3CVE1 DRAWN BY: S. HUYNH DATE: 11-14-14

SCALE: 1/1 SHEET: 1 OF 1

Antenna Mounts: http://www.antcom.com/documents/catalogs/PeripheralAntennaProducts2.pdf