

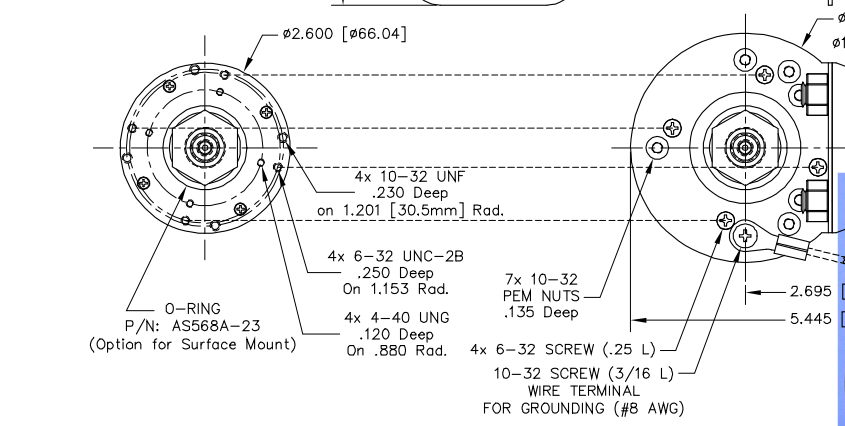
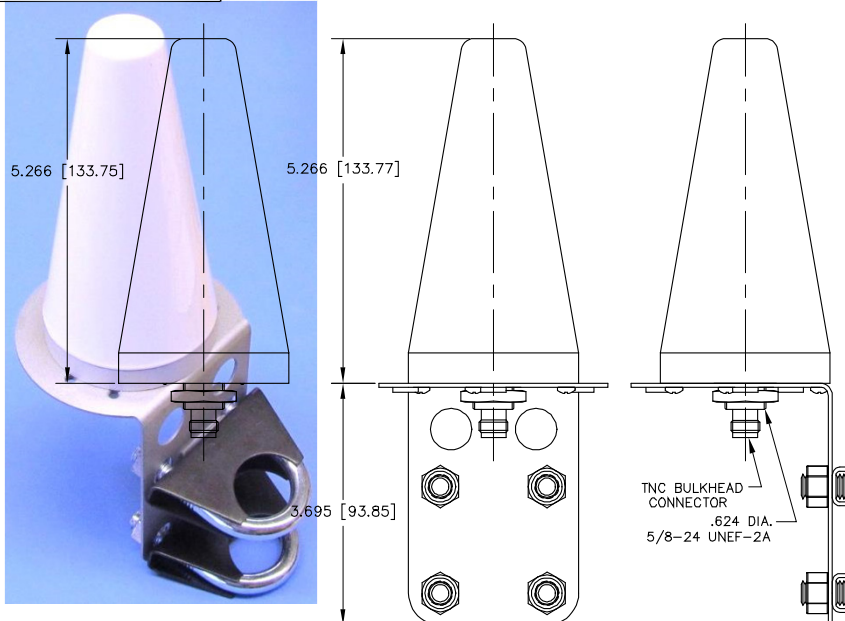


New Infinite Balance 1/2 Wave Length Quadrifilar Helix L1/L2 GPS Timing Antenna, P/N: BL1L2R-A-XTB-1-FKM-LP
 for More Gain, High Multipath Rejection & Broader 194deg Beamwidth for Timing, Buoy, Marines, Ground and Weather Station App.
 with High Iridium/Inmarsat/Thuraya-Rejection Front Filters (36dB@1616MHz, 44dB@1625MHz, 55dB@1640MHz, 67dB@1660MHz)
 with High Power Front End Limiter Suitable for High Interference Environment
 with Lightning Protection Compliance Per EN61000-4-5 Level 4
 Available in L1GPS, L1GPS/Glonass, L1GPS/Glonass/Omnistar, L1/L2GPS/Glonass, L1/L2GPS/Glonass/Omnistar, and Other GNSS Bands



ANTCOM CORPORATION . 367 Van Ness Way, Suite 602 . Torrance, CA 90501 . Tel: (310) 782-1076 . Fax: (310) 782-1086 . E-mail: antennas@antcom.com . http://www.antcom.com

NOTICE OF PROPRIETARY RIGHTS
 THIS DOCUMENT CONTAINS CONFIDENTIAL, TECHNICAL DATA INCLUDING TRADE SECRETS PROPRIETARY TO ANTCOM CORP. REPRODUCTION OF THIS DATA TO ANY OTHER PARTY WITHOUT THE WRITTEN CONSENT OF ANTCOM CORP. IS STRICTLY PROHIBITED WITHOUT PRIOR WRITTEN CONSENT OF ANTCOM CORP.



P/N: BL1L2R-A-XTB-1-FKM-LP

SPECIFICATIONS

		REVISIONS		
ZONE	REV	DESCRIPTION	DATE	APPROVED
ELECTRICAL:				
FREQUENCY:	L2: 1227.60 ± 12 MHz	L1: (1575.42 ± 12.0) MHz		
RADIATION PATTERN:	HEMISPHERICAL			
POLARIZATION:	RHCP	RHCP		
VSWR:	< 2.0:1	< 2.0:1		
IMPEDANCE:	50 ohms	50 ohms		
ANTENNA GAIN (dBi):				
@ 90° Above Horizon (Top):	- 3.0	+ 1.2		
@ 15° Above Horizon:	- 5.4	- 0.2		
@ 20° Above Horizon:	- 5.0	+ 0.2		
@ 25° Above Horizon:	- 4.5	+ 0.5		
@ 30° Above Horizon:	- 4.4	+ 0.6		
@ 70° Above Horizon:	- 3.4	+ 0.0		
BEAM WIDTH (3dB):	166 Deg.	192 Deg.		
AXIAL RATIO:	1 dB	1 dB		
MULTIPATH REJECTION (RHCP/LHCP):				
@ 90° Above Horizon (Top):	19 dB	20 dB		
@ 15° Above Horizon:	11 dB	16 dB		
@ 25° Above Horizon:	13 dB	18 dB		
DC GROUNDING:	YES			
LIGHTNING PROTECTION COMPLIANCE:	PER EN61000-4-5 LEVEL 4			
LNA GAIN (OPTION):	33 dB			
LNA NOISE FIGURE:	2.7 dB			
LNA P1dB Out:	+13 dBm			
LNA DC POWER:	(+2.4 TO +5) Volts DC / (30 TO 50) mA			
FRONT FILTER REJECTION @ (-50/+50) MHz:	> -41 dB / -59 dB			
@ (-100/+100) MHz:	> -65 dB			
FRONT END HIGH POWER LIMITER:	BUILT-IN			
ANTENNA PROPAGATION DELAY:	27 ns	34 ns		

MECHANICAL:

SIZE:	DIAMETER: 2.60in. [66 mm] HEIGHT: 5.266 in. [133 mm]
WEIGHT:	< 8oz. (226g)
FINISH:	HERMETICALLY SEAL & TEFLON COATED
MATERIAL:	6061-T6 ALUMINUM ALLOY BASE & RUGGEDIZED RADOME IMPACT, ABRASION, UV, SOLVENT, SKYDROL, CORROSION RESISTANCE, AND FIRE RETARDANT
CONNECTOR:	TNC FEMALE BULKHEAD (OPTION: TNC-BK, F, SMA, BNC, N, MCX, MMCX)
ENVIRONMENTAL:	TEMPERATURE: -95 °F TO +194 °F [-70 °C TO +90 °C] -700ft to +70,000 ft. (for -U-FKM-U-TPM, from Mounting Surface) 30 G's HERMETICALLY SEAL
VIBRATION:	HERMETICALLY SEAL

FEDERAL & MILITARY SPECIFICATIONS:

FAA TSO-C144, DO-160D, D0-228, MIL-C-5541, MIL-E-5400, MIL-I-45208A, MIL-STD-810, MIL-STD-461E/F, AND SAE J1455

ACCEPTANCE TEST PROCEDURE:

ATP-GPS-L1L2-100

QTY	DESCRIPTION	PART NO	ITEM NO
1	WIRE TERMINAL, #8 AWG	McMASTER P/N: 7113K241, Item 521-LP	5
4	PAN HEAD SCREW, 6-32, .25" L	McMASTER P/N 91400A144, Item 566-IN	4
1	PAN HEAD SCREW, 10-32, 3/16" L	McMASTER P/N: 91772A824, Item 587p2	3
1	MTR Mount, VERTICAL/ HORIZONTAL	MTR-LP REV E, Item 482-316LP	2
1	O-RING (For Surface Mount)	McMASTER P/N: AS568A-23, Item 553-23	1

QTY	DESCRIPTION	PART NO	ITEM NO
1	WIRE TERMINAL, #8 AWG	McMASTER P/N: 7113K241, Item 521-LP	5
4	PAN HEAD SCREW, 6-32, .25" L	McMASTER P/N 91400A144, Item 566-IN	4
1	PAN HEAD SCREW, 10-32, 3/16" L	McMASTER P/N: 91772A824, Item 587p2	3
1	MTR Mount, VERTICAL/ HORIZONTAL	MTR-LP REV E, Item 482-316LP	2
1	O-RING (For Surface Mount)	McMASTER P/N: AS568A-23, Item 553-23	1

Antenna Mounts: http://www.antcom.com/documents/catalogs/PeripheralAntennaProducts2.pdf